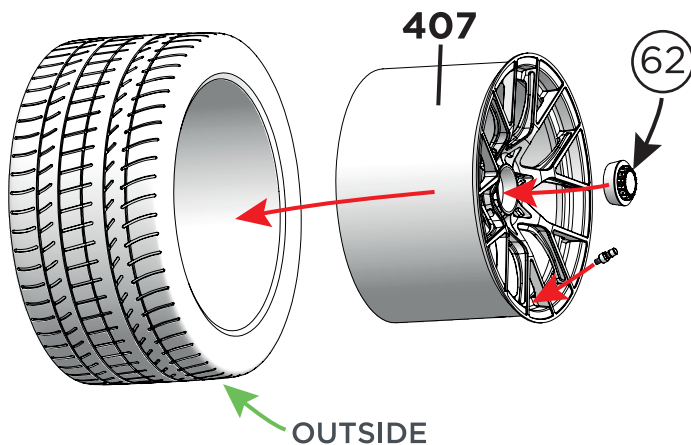
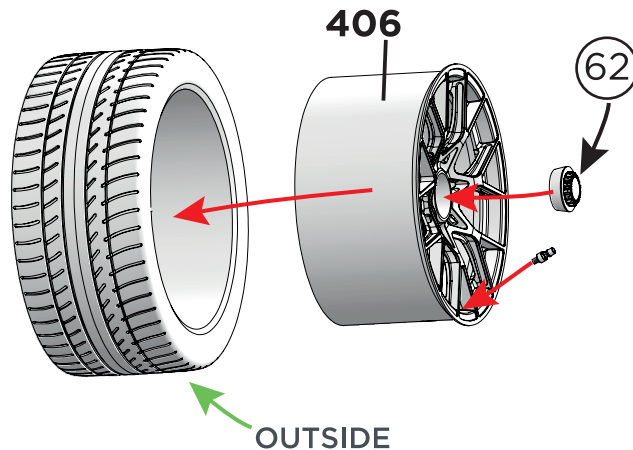


Rear Tire (wide)



Front Tire (narrow)



NOTE:

3D resin is fragile, so you should NOT use excessive force when removing the supports or joining the pieces or you risk breaking the parts.

Carry out a test assembly before painting the parts, sanding where necessary and preferably the plastic parts of the kit, until the parts fit together with light pressure without being forced.

deca | cas