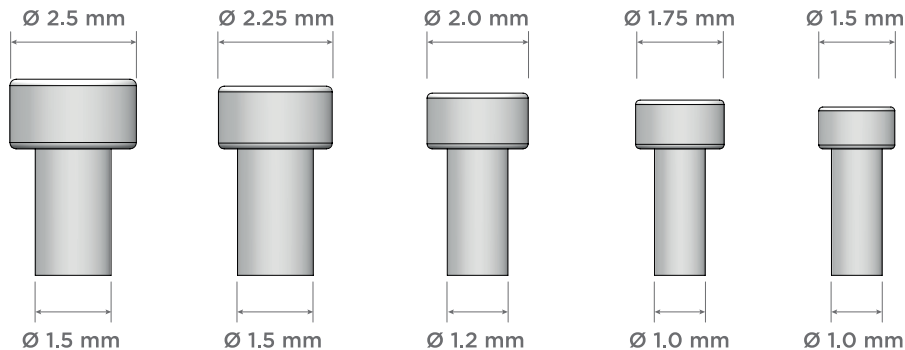


DCL-PAR143 Instructions



STEEL
(N5-C054 by Number Five)

NOTE:



This parts faithfully reproduce the head but lack the threads, they are not real screws.