

# DCL-PAR095

## Instructions

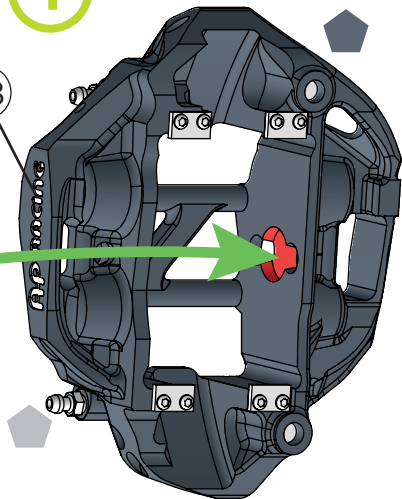
1

### RIGHT REAR BRAKE ASSEMBLY

Use decal included  
in the Model Kit

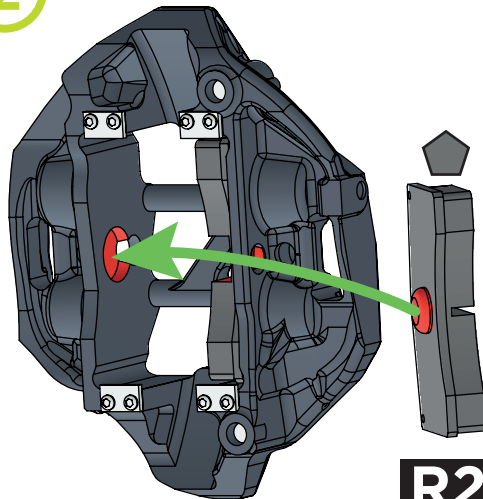
78

R1








RR

2



R2

Paints required:

-  STEEL  
(N5-X069 by Number Five)
-  GUN METAL  
(N5-X090 by Number Five)
-  WHITE ALUMINIUM RAL9006  
(N5-X019 by Number Five)
-  MAGNESIUM GOLD  
(N5-X062 by Number Five)
-  HURACAN PERFORMANTE BRONZE  
(N5-C124 by Number Five)

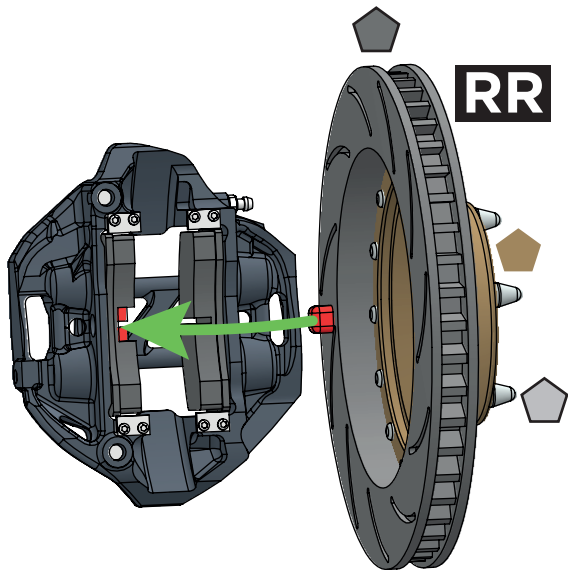
**NOTE:** 

3D resin is fragile, so you should NOT use excessive force when removing the supports or joining the pieces or you risk breaking the parts.

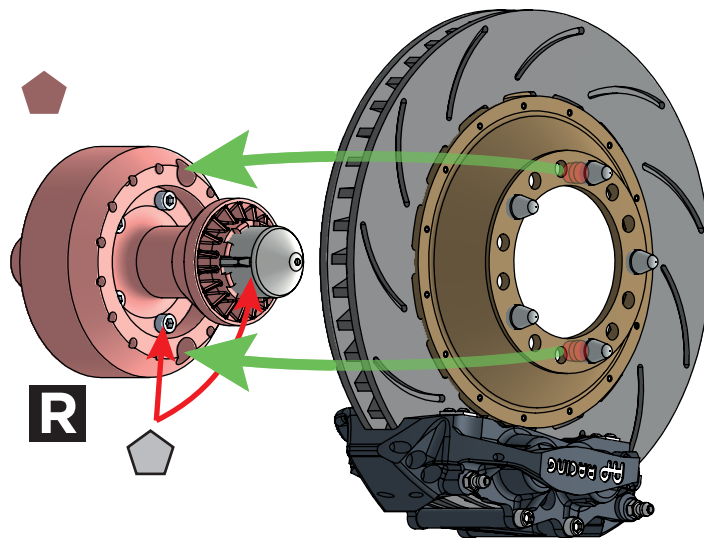
Carry out a test assembly before painting the parts, sanding where necessary and preferably the plastic parts of the kit, until the parts fit together with light pressure without being forced.

decalicas

3

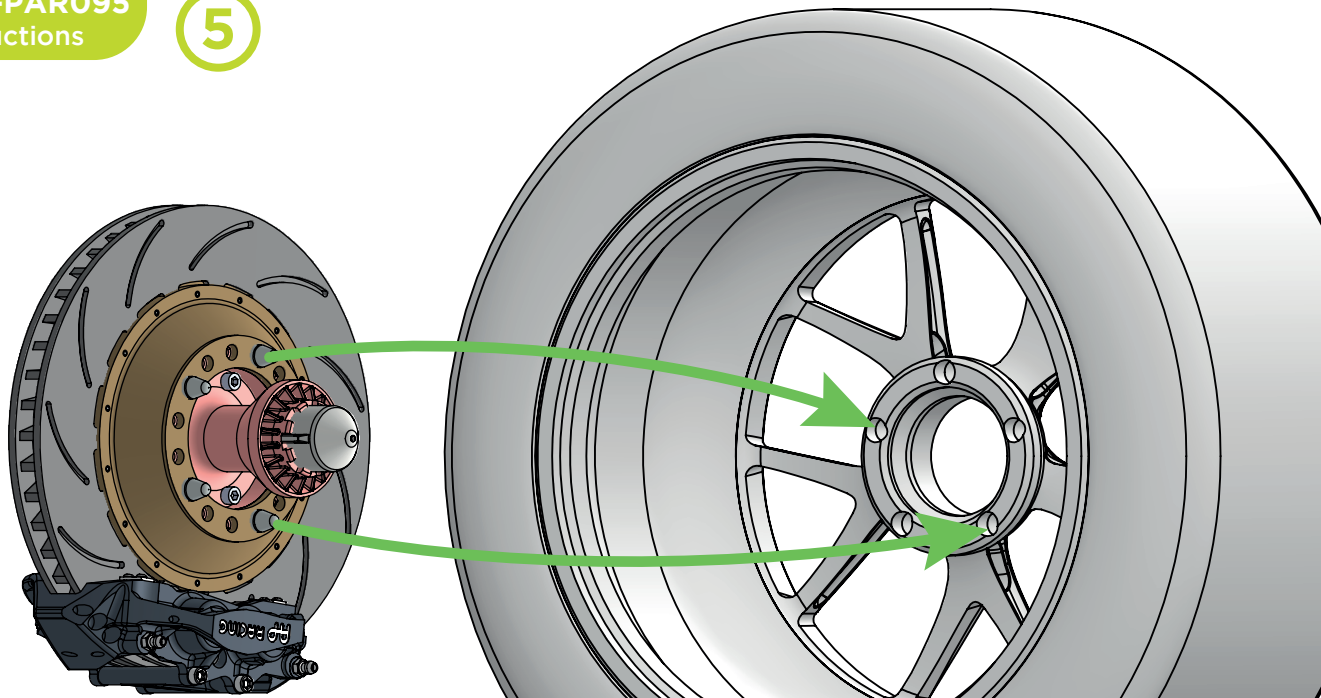


4



The left rear brake is assembled following the same steps as for assembling the right one, using the parts marked RL instead of RR.

deca|gas

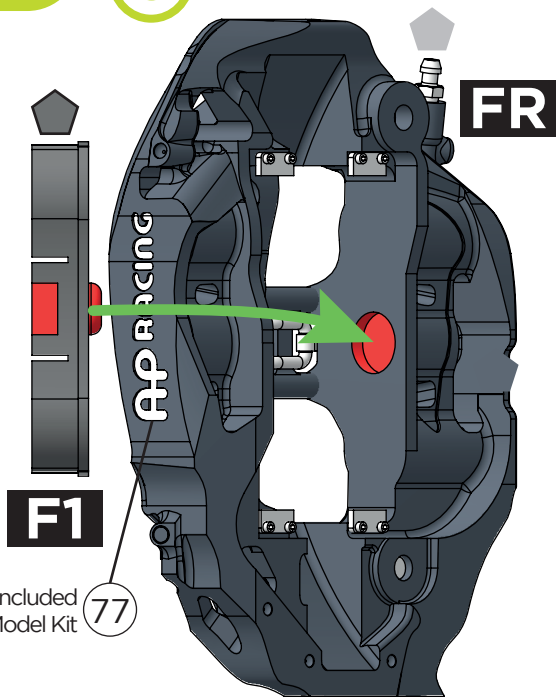


**NOTE:** These parts have been designed as a complement to the Decalcas DCL-PAR094 wheel kit, sold separately, and are not compatible with the wheels included with the NUNU kit.

decalcas

6

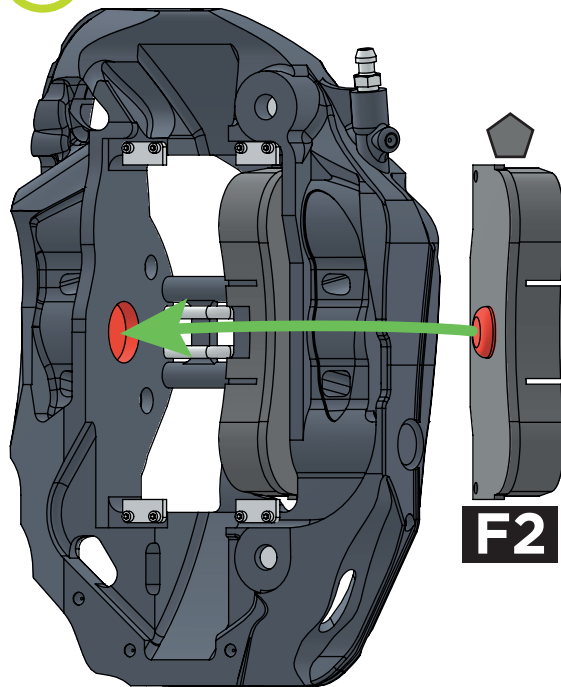
RIGHT FRONT BRAKE ASSEMBLY



Use decal included  
in the Model Kit

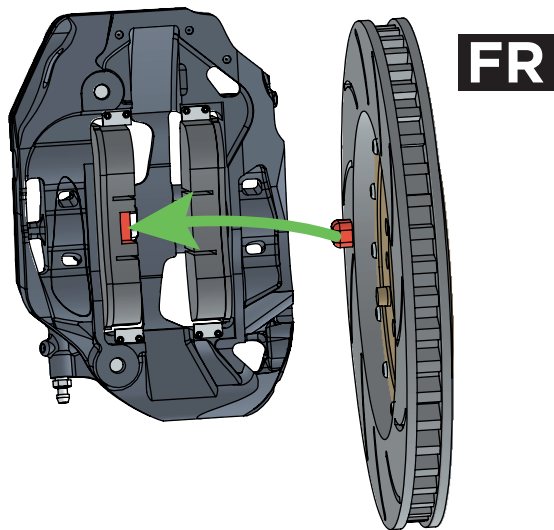
77

7

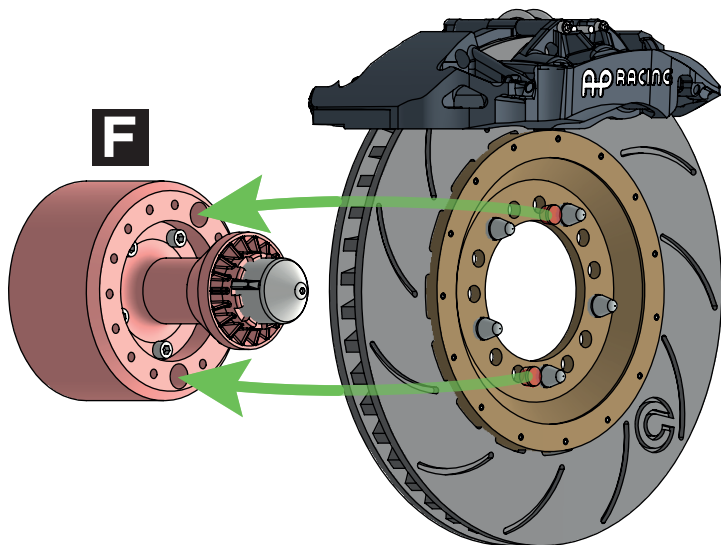


decal | gas

8



9



The left front brake is assembled following the same steps as for assembling the right one, using the parts marked FL instead of FR.

deca|gas

