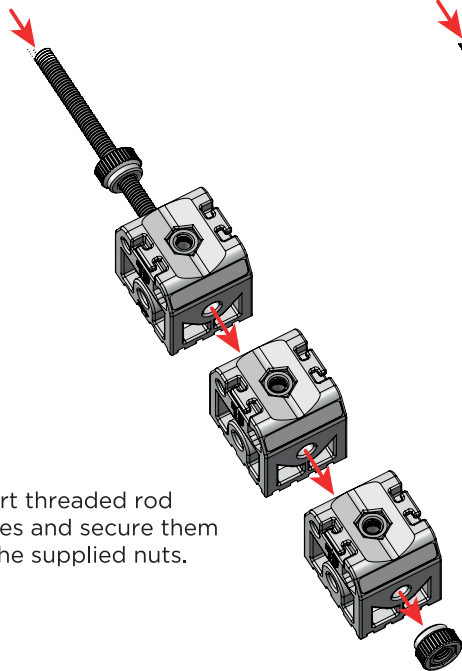
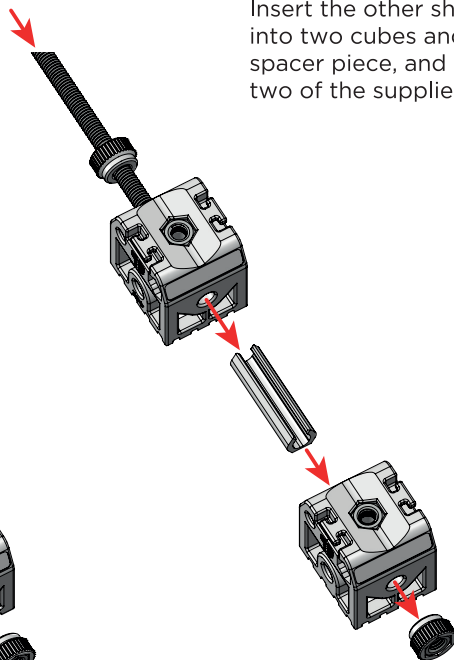


## DCL-JIG002 Instructions

Insert one short threaded rod into three cubes and secure them using two of the supplied nuts.



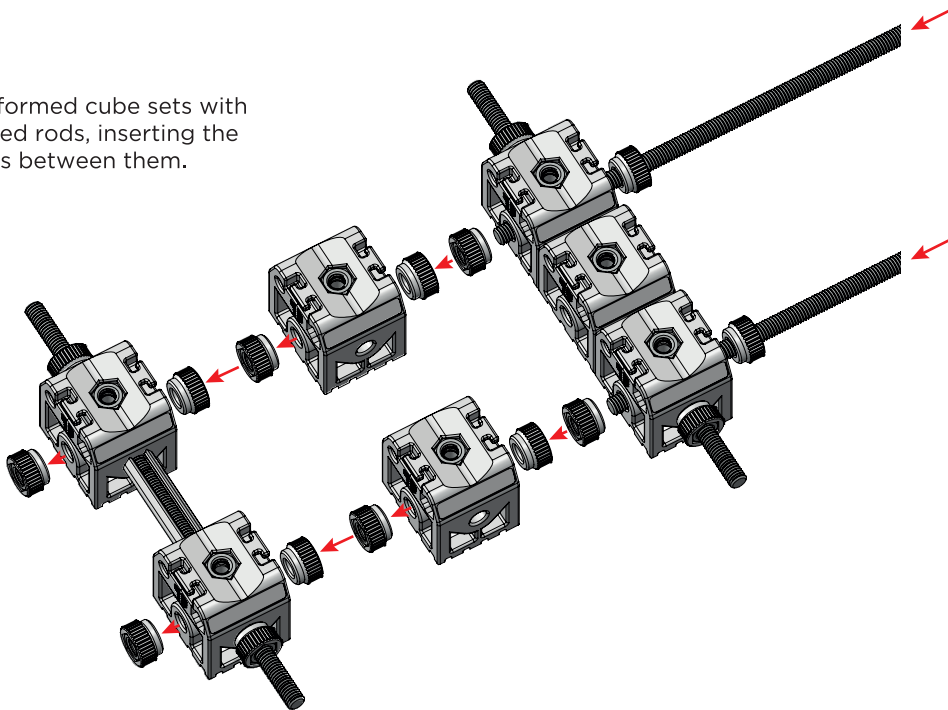
Insert the other short threaded rod into two cubes and the intermediate spacer piece, and secure them using two of the supplied nuts.



## DCL-JIG002

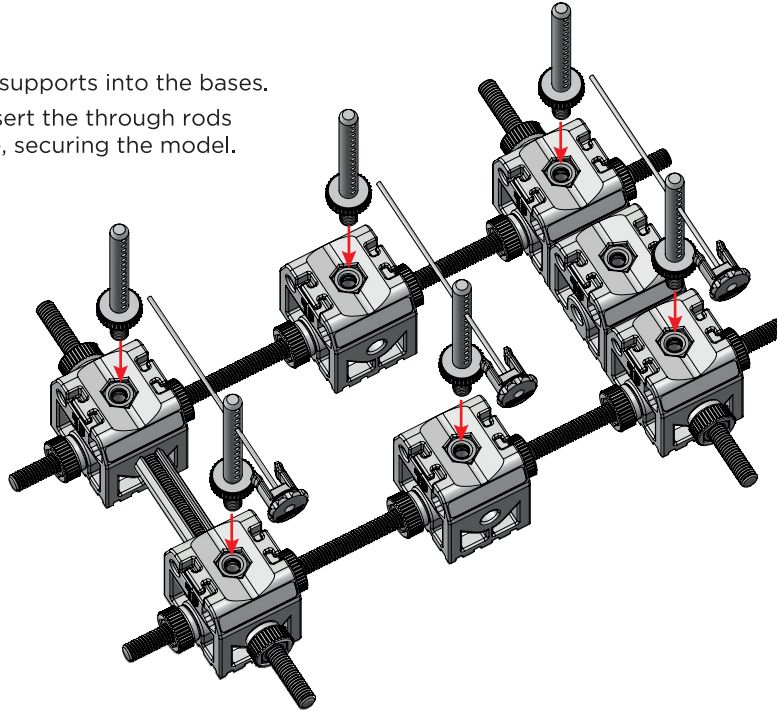
### Instructions

Join the previously formed cube sets with the two long threaded rods, inserting the two remaining cubes between them.



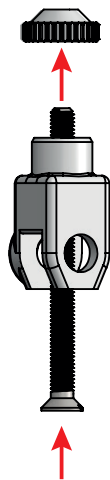
## DCL-JIG002 Instructions

Insert the necessary rod supports into the bases.  
Place your model and insert the through rods  
until they click into place, securing the model.



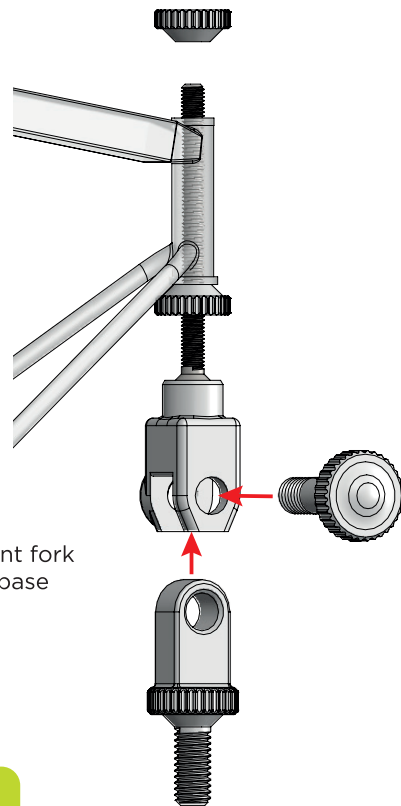
## DCL-JIG002

### Instructions



To secure the model using the front fork attachment.

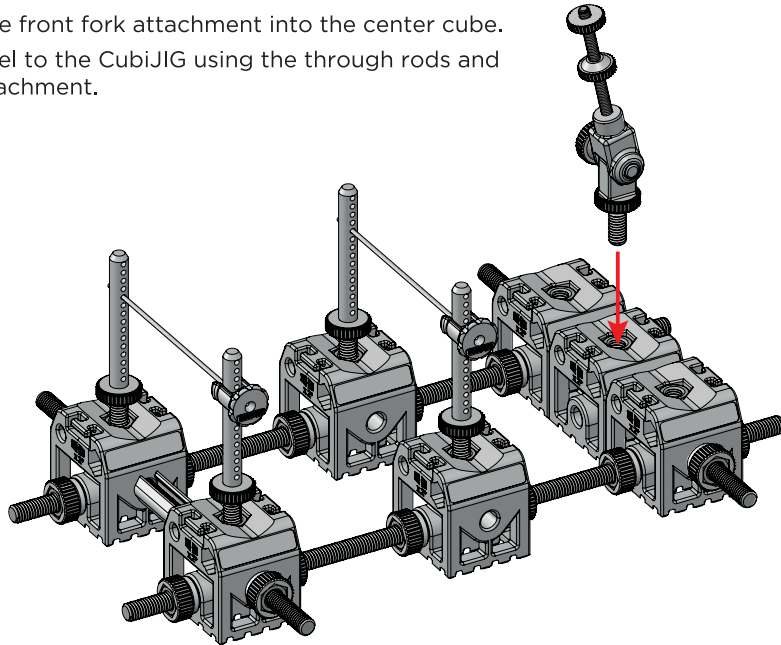
Start the attachment assembly by installing the M3 screw into the oscillate piece and the fork support nut onto the screw.



Complete assembling the front fork attachment by installing the base using the fixing screw.

## DCL-JIG002 Instructions

Insert the oscillate front fork attachment into the center cube.  
Attach your model to the CubiJIG using the through rods and the front fork attachment.



**NOTE:** 

In these instructions we show two different configurations with which to align your model. The CubiJIG modular design allows for numerous configurations to suit the specific needs of each model.

The threaded rods supplied fit the length and width of most models on the market. If you need a greater length or width, you can replace the rods supplied with an M5 threaded rod of the length you need.

Complete your CubiJIG with the range of accessories available.

DCL-JIG002  
Instructions

